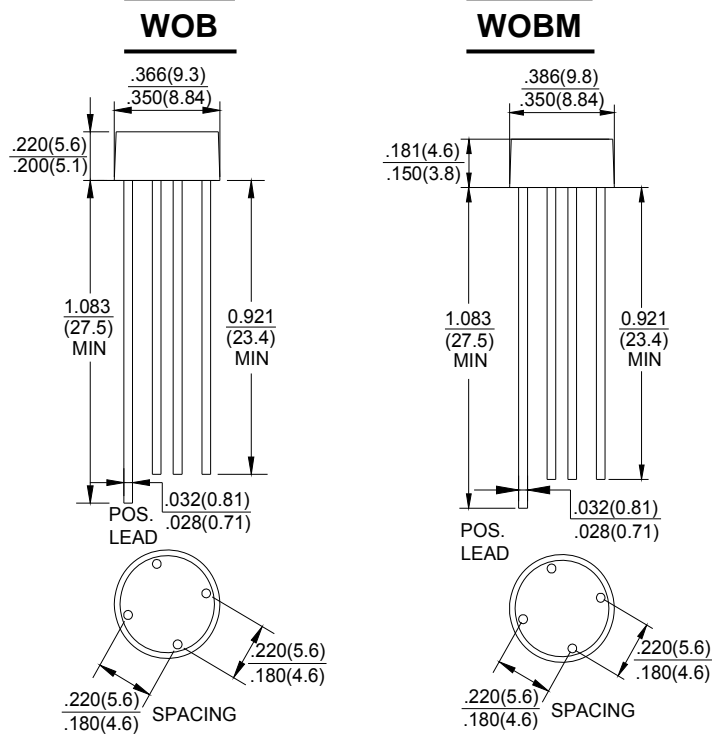


## GLASS PASSIVATED BRIDGE RECTIFIERS

REVERSE VOLTAGE - 50 to 1000Volts  
FORWARD CURRENT - 1.5 Amperes

### FEATURES

- Surge overload rating -40 amperes peak
- Ideal for printed circuit board
- Reliable low cost construction utilizing molded plastic technique results in expensive product
- Mounting Position :Any



### MAXIMUM RATINGS AND ELECTRICAL CHARACTERISTICS

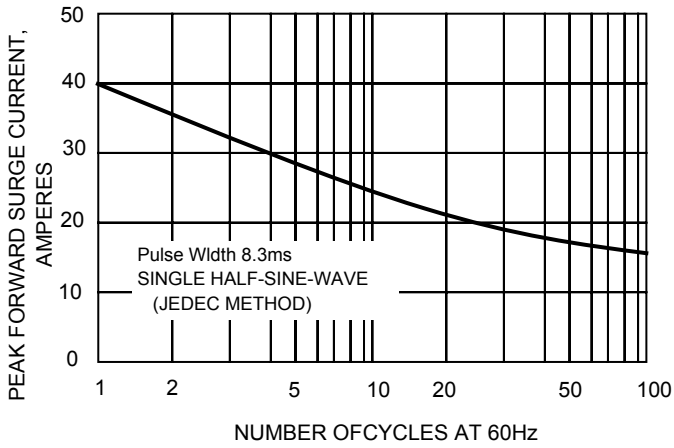
Rating at 25°C ambient temperature unless otherwise specified.

Single phase, half wave ,60Hz, resistive or inductive load.

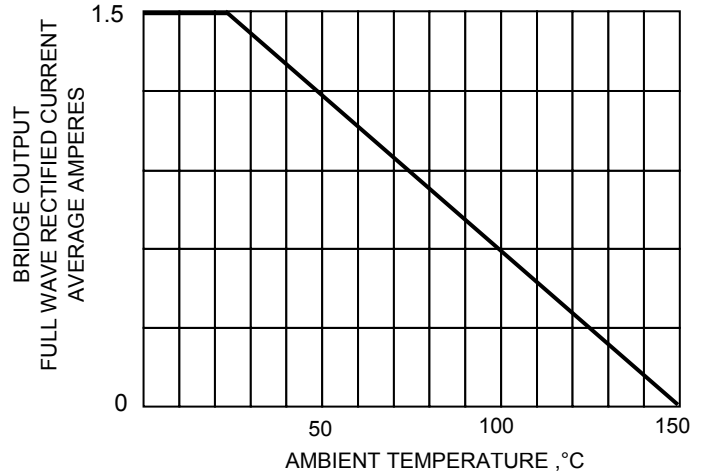
For capacitive load, derate current by 20%

CHARACTERISTICS	SYMBOL	W005G	W01G	W02G	W04G	W06G	W08G	W10G	UNIT	
		W005MG	W01MG	W02MG	W04MG	W06MG	W08MG	W10MG		
Maximum Recurrent Peak Reverse Voltage	V <sub>RRM</sub>	50	100	200	400	600	800	1000	V	
Maximum RMS Voltage	V <sub>RMS</sub>	35	70	140	280	420	560	700	V	
Maximum DC Blocking Voltage	V <sub>DC</sub>	50	100	200	400	600	800	1000	V	
Maximum Average Forward Rectified Current @T <sub>A</sub> =25°C	I <sub>(AV)</sub>	1.5							A	
Peak Forward Surge Current , 8.3ms Single Half Sine-Wave Super Imposed on Rated Load	I <sub>FSM</sub>	40							A	
I <sup>2</sup> t Rating for Fusing (t<8.3ms)	I <sup>2</sup> t	6.64							A <sup>2</sup> s	
Maximum Forward Voltage Drop Per Element at 1.5A Peak	V <sub>F</sub>	1.1							V	
Maximum Reverse Current at Rated DC Blocking Voltage T <sub>J</sub> =25°C	I <sub>R</sub>	10.0							µA	
		T <sub>J</sub> =100°C							1.0	mA
Operating Temperature Range	T <sub>J</sub>	-55 to +150							°C	
Storage Temperature Range	T <sub>STG</sub>	-55 to +150							°C	

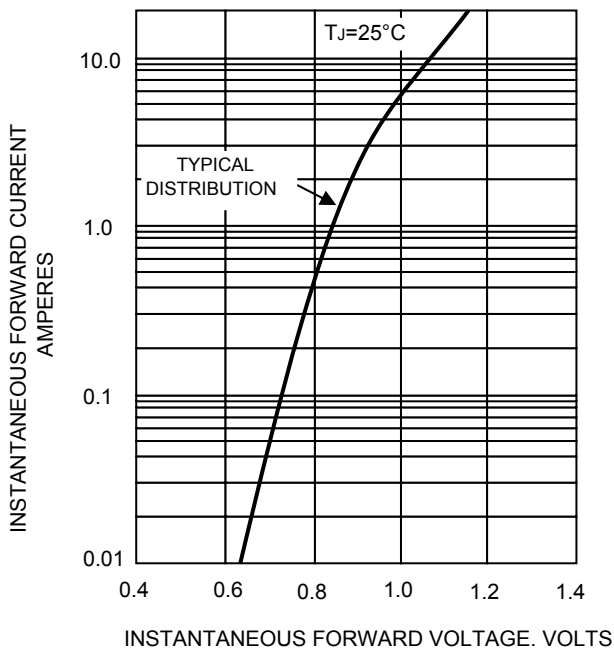
**FIG.1-MXIMUM NON-REPETITIVE SURGE CURRENT**



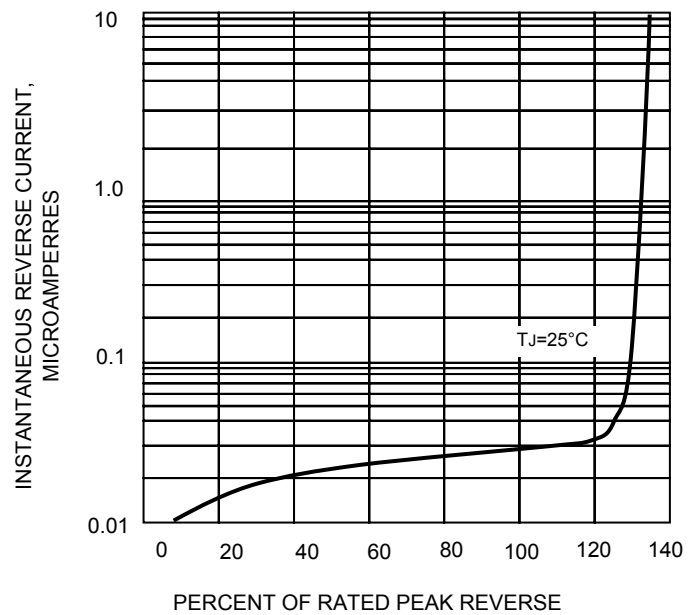
**FIG.2-DERATING CURVE**  
**OUTPUT RECTIFIED CURRENT**



**FIG.3-TYPICAL FORWARD CHARACTERISTICS**



**FIG.4-TYPICAL REVERSE CHARACTERISTICS**



The cruve graph is for reference only, can't be the basis for judgment(曲线图仅供参考)!